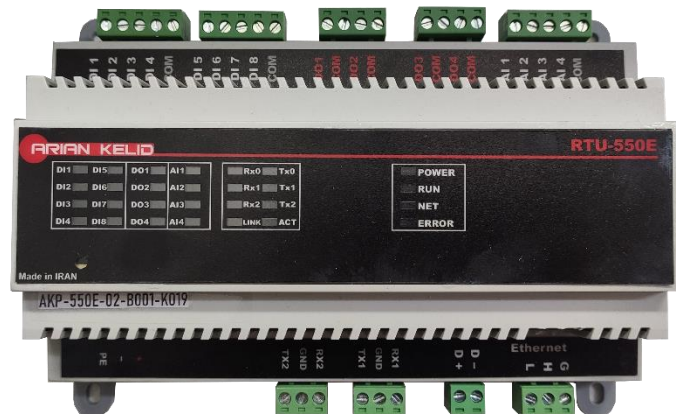


- Low cost
- Low power
- Small size
- Support Multiple industry standards



## Feature

- 8x digital input / 4x digital output
- 4x analog input
- pbsSoftLogic IEC61131 Programming Environment (FB)
- Wide communication platform RS232 (2x) RS485(1x) 10/100 Ethernet (1x) Canbus(1x)

## Applications

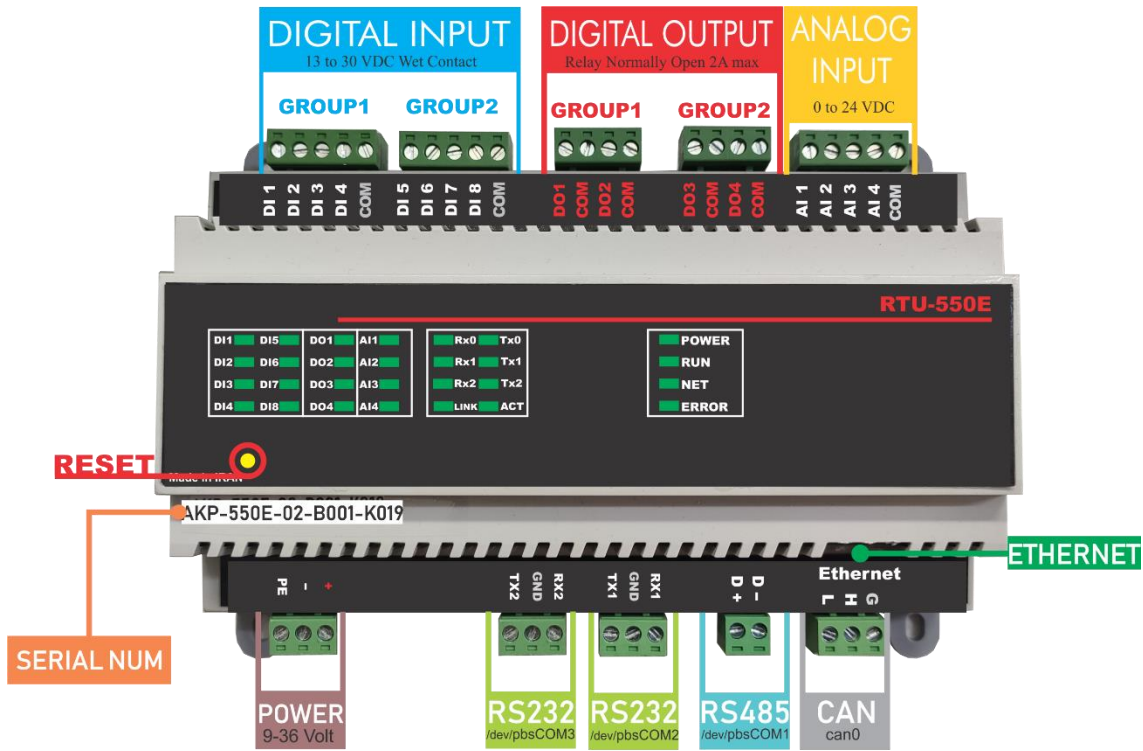
- Electricity and Gas Distribution SCADA System
- Hydro system (water supply, reservoirs, sewage system)
- Electrical power transmission network and associated equipment
- Power plant and electricity substation equipment
- Natural gas networks and associated equipments
- Networks of pump stations
- Environmental monitoring system
- Air traffic equipment such as navigation aids
- Building Management System

## Specification

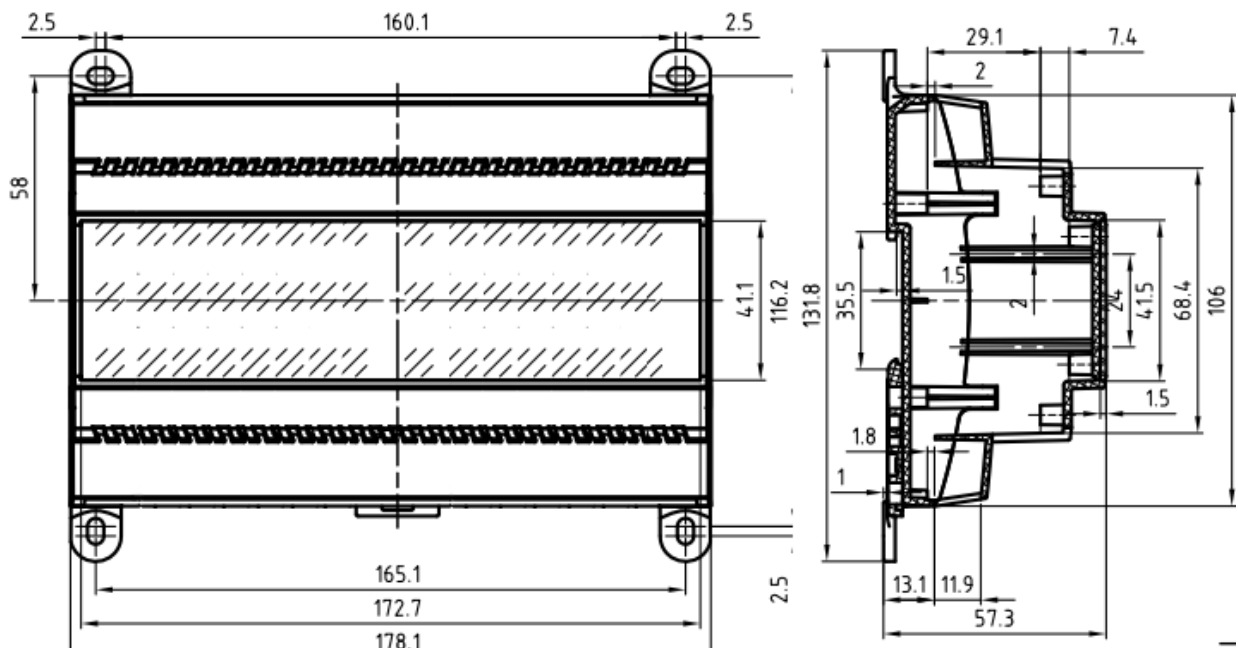
POWER	External Power	+9-36 VDC
	Power Consumption	3-5W
	Internal RTC Power	3v Coin Cell – Type 2023
Input/Output	Digital Input	8CH (12-30VDC)
	Digital Output	4CH (Relay 2A 250V)
	Analog Input	4CH 12bit (0-24v)
Communication	Internal	2x RS232 1x RS485 1x 10/100 Ethernet 1x CanBus
	Protocols	DNP3 Master/Slave IEC870-5-101/104 Master/Slave IEC870-5-103 Master Siemens S7-Connect Client Modbus RTU Master/Slave Modbus TCP Client/Server GSP Client OPC UA Server (DA,AE,HD) Interface SQLite Driver for local data archiving with MS SQL Server Direct Client Driver RESP (REdis Serialization Protocol) MQTT
Processor	CPU	32-bit ARM Cortex A8 @ 1GHz
	Memory	Flash 4GB (EMMC) RAM 512 MB DDR3 Micro SD Slot: Up to 32GB
Programming Tools	pbsSoftLogic IEC61131	Function Block User defined FB by Lua, C++ or python
	Operation System	Embedded Linux
Dimension	Size (WxHxD) / mm(inch)	178x116x57
	Material	PC
Mounting	DIN Rail Mounting	Wall Mounting Available
Environmental Condition	Temperature(Operation)	-25 to 70 °C
	Temperature(Storage)	-40 to 85 °C
	Humidity	0 to 95X non-condensing

# ARIAN KELID

## آرین کلید پارس

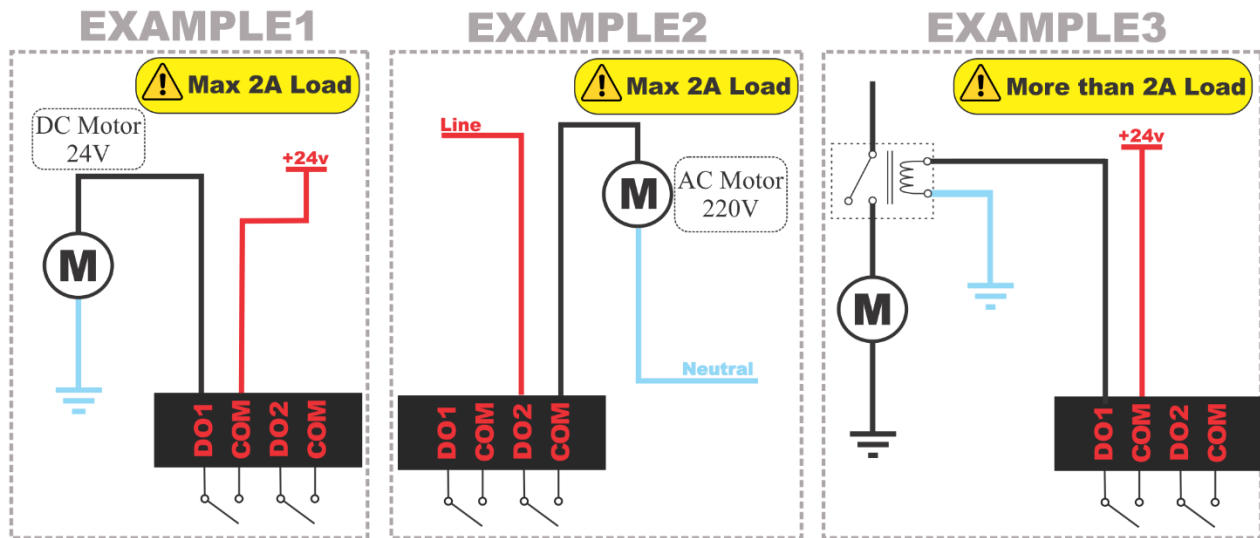


## Dimension



# ARIAN KELID

## Digital Output Sample Wiring



## Digital Analog Input Sample Wiring



## Contact us

Website : <http://www.ariankelid.ir>  
<http://www.pbscontrol.com/>  
 Email: [ariankelid@gmail.com](mailto:ariankelid@gmail.com)  
 Social: <https://www.instagram.com/ariankelid/>  
 Tel: +98 21 47158000  
 Fax: +98 21 44030073  
 WhatsApp: +98 902 4440882